

Code	Description
X-BAR	Irreversible 230 Vac, 24 Vdc motor. Modular pole in three 1-metre sections with rubber protection strips; enclosure in galvanized and paint-finished steel, fixing plate excluded

The first electromechanical barrier gate operator complete with built-in flashing light and modular pole. Equipped with Nice BlueBUS technology. Compatible for operation with Nice Solemyo and Opera systems.

Powerful and fast: electromechanical gear motor 24 Vdc, 100 W with power up to 100 Nm of torque.

Flexible and easy to transport: modular pole in three 1-metre sections to adapt length to the specific installation environments; including joints and cap. The compact dimensions of packaging facilitate the transport of X-Bar.

More comfort and safety in programming and maintenance phases: the separate enclosures for electronics and mechanics prevent internal parts from being subject to potential hazards.

Built-in control unit, with flashing light to guarantee optimal visibility of the luminous signal.

More safety and reliability: obstacle detection and monitoring of motor absorption during automation movement.

Energy saving: when the system is not used it sets to standby, thereby reducing consumption.

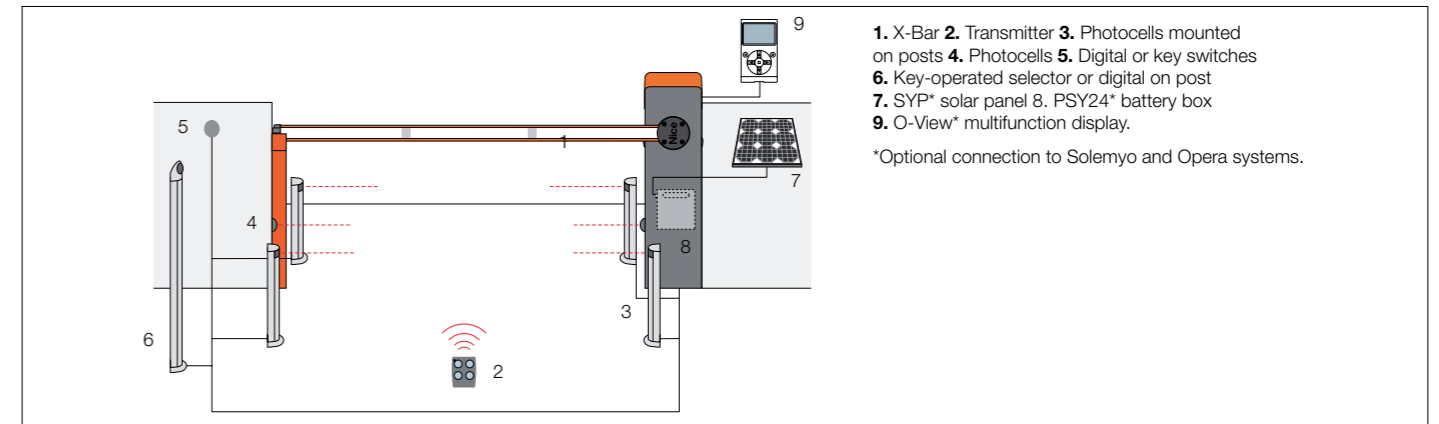
Automatic fault diagnostics during operation and consequent information on type via different combinations of flashes.

With provision for connection of the latest generation of optical and resistive sensitive edges (with 8.2 KOhm resistance).

Rapid and easy access to the control unit located in the upper section of the barrier body.

Simple fixture of the photocells onto the specially designed seats on the barrier body.

No black out: operation in the event of a power failure with optional batteries (PS124) housed inside the motor.



1. X-Bar
2. Transmitter
3. Photocells mounted on posts
4. Photocells
5. Digital or key switches
6. Key-operated selector or digital on post
7. SYP* solar panel
8. PSY24* battery box
9. O-View* multifunction display.

*Optional connection to Solemyo and Opera systems.

Accessories for a complete installation:



XBA2
Spare control unit for X-BAR.



PS124
24 V battery with integrated battery charger.



SIA1
Anchorage base with clamps.



XBA4
Indicator lights for click fixture of X-BAR on upper or lower side of pole.



WA10
Red adhesive reflector strips.



WA11
Adjustable stand for bars.

Technical specifications

Code	X-BAR
Electrical data	
Power supply (Vac 50/60 Hz)	230
Absorption (A)	0.7
Power (W)	100
Performance data	
Speed (s)	< 4
Torque (Nm)	100
Work cycle (cycles/hour)	100
Dimensional and general data	
Protection level (IP)	44
Working temp. (°C Min/Max)	-20 ÷ +50
Dimensions (mm)	300x179.5x1146 h
Weight (kg)	40

Solemyo system



The solar power kit Solemyo to automate gates, garage doors or barrier gates, including those located far from the power mains and without the need for costly and invasive excavation work. See pages 78/79

Opera system



The innovative Opera system enables the installer to manage, program and control automation systems, also remotely, simply and safely, with significant savings in time. See pages 80/81

