

For sliding gates weighing up to 3500 kg.

Ideal for industrial use.

Irreversible electromechanical 400 Vac gear motor with built-in Mindy A500 control unit.

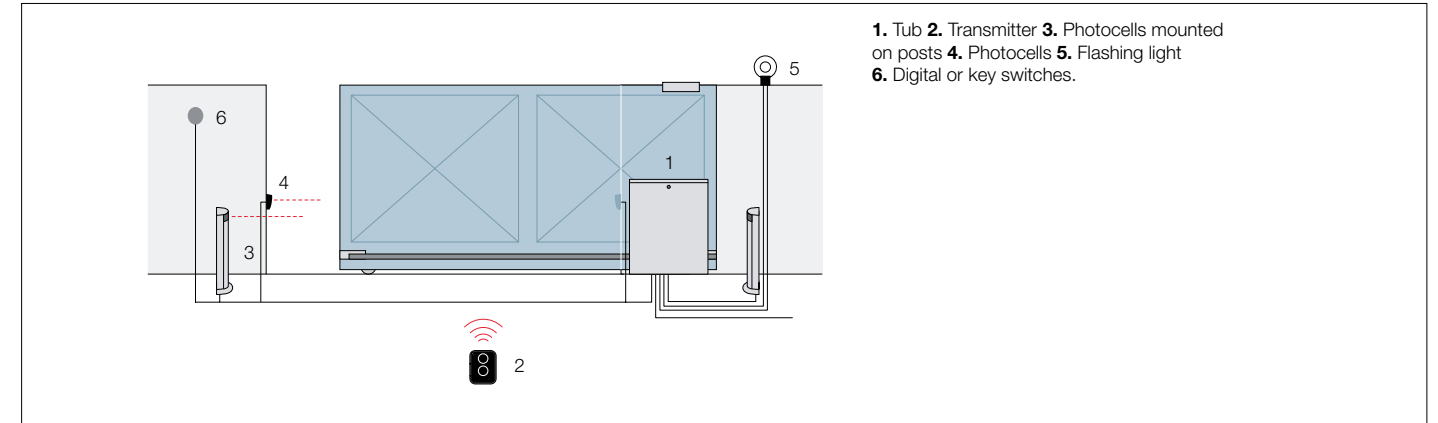
Powerful: 550 W absorbed output and a peak thrust of over 400 Nm.

Functionality and safety: programmable, electronic brake which prevents gate inertia; self-ventilated motor to increase the working cycles; optional PIU card to increase the basic functions; possibility of slowdown.

Maximum durability and silence: bronze and metal gears.

Advanced: Tub meets all requirements in terms of control, thanks to the functions which can be selected by means of dipperswitches.

Practical: the lever release enables safe and simple operation.



1. Tub 2. Transmitter 3. Photocells mounted on posts 4. Photocells 5. Flashing light 6. Digital or key switches.

Accessories for a complete installation:

Code	Description
A500	Spare control unit
PIU	Expansion card for control unit
ROA81	M6 rack, 30x30x1000 mm, zinc coated, preset for screws and spacers

Code	Description
TUB3500	Irreversible 400 Vac gear motor, with electromechanical limit switch and built-in Mindy A500 control unit, for gates up to 3500 kg

Technical specifications

Code	TUB3500
Electrical data	
Power supply (Vac/Hz)*	400
Absorption (A)	1.65
Power (W)	550
Performance data	
Speed (m/min)	10.2
Force (N)	7740
Work cycle (cycles/day)	200
Dimensional and general data	
Protection level (IP)	44
Working temp. (°C Min/Max)	-20 ÷ +50
Dimensions (mm)	480x240x580 h
Weight (kg)	60

*Usable also at 60 Hz with consequent change in performance ratings.