

Code	Description
TO5024	Irreversible 24 Vdc electromechanical gear motor, with magnetic encoder, mechanical stop on opening, for gates up to 5 m
TO7024	Irreversible 24 Vdc electromechanical gear motor, with magnetic encoder, mechanical stop on opening and closing, for gates up to 7 m

Technical specifications

Code	TO5024	TO7024
Electrical data		
Power supply (Vac 50 Hz)	-	-
Power supply (Vdc)	24	24
Absorption (A)	5	5
Power (W)	120	120
Performance data		
Speed (m/s)	0.016	0.013
Force (N)	1800	2700
Work cycle (cycles/hour)	95*	41
Dimensional and general data		
Protection level (IP)	44	44
Working temp. (°C Min/Max)	-20 ÷ +50	-20 ÷ +50
Dimensions (mm)	965x115x105 h	1200x128x150 h
Weight (kg)	7	15

* With optimal installation

For swing gates with leaves up to 7 m. Compatible for operation with Solemyo and Opera systems.

Electromechanical gear motor, surface mounted, powered at 24 Vdc, with magnetic encoder. Ideal for residential and industrial installations, even for intensive use.

New third generation models:

quality and durability thanks to the housing, made up of two tough aluminium shells with polyester paint finish; more resistant to atmospheric agents. Internal moving parts completely in steel, light alloys and technopolymers.

Reliable and silent:

patented layout of internal parts.

Lead nut in bronze

for strength and silent operation.

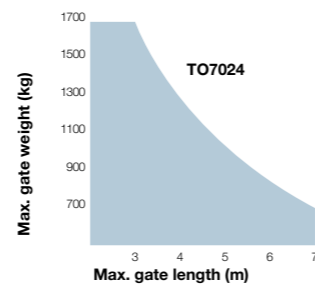
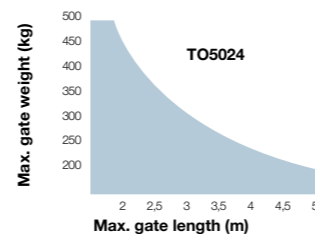
Generously sized and practical connection compartment:

rapid and easy access from above to internal parts located in the upper section of the motor.

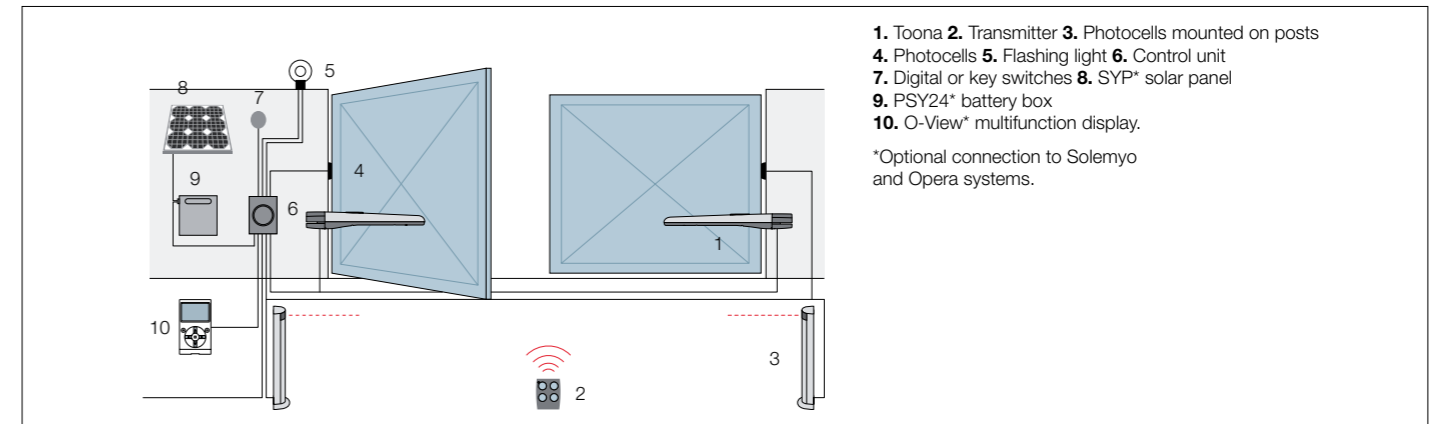
Recommended control unit Moonclever **MC824H**, equipped with Nice BlueBUS technology, and provision for operation with Nice Solemyo and Opera systems:

- simple programming, by means of a single key;
- self-learning of opening and closing limit positions;
- automatic fault diagnostics;
- programming of pause time;
- pedestrian pass door;
- deceleration on opening and closing;
- obstacle detection with dual technology;
- operation in event of power failure by means of optional rechargeable batteries (PS324);
- provision for connection of latest generation resistive sensitive edges.

Utilisation limits



The shape, the height of the gate and the weather conditions can considerably reduce the values shown in the graph to the side.



1. Toona
2. Transmitter
3. Photocells mounted on posts
4. Photocells
5. Flashing light
6. Control unit
7. Digital or key switches
8. SYP* solar panel
9. PSY24* battery box
10. O-View* multifunction display.

*Optional connection to Solemyo and Opera systems.

Accessories for a complete installation:

<p>MC824H Complete control panel for single or double swing gates including MCA1 control board.</p>	<p>MCA1 Spare control board for MC824H.</p>	<p>PLA6 Rear bracket 250 mm long. For Toona 5 only.</p>	<p>PLA8 Screw-adjustable front bracket. For Toona 5 only.</p>	<p>PLA10 Vertical 12 V electric lock (required for gates longer than 3 m).</p>	<p>PLA11 Horizontal 12 V electric lock (required for gates longer than 3 m).</p>
<p>PLA13 Mechanical travel stops for closing and opening manoeuvres. For Toona 5 only.</p>	<p>PS324 24 V battery with integrated battery charger.</p>				

Solemyo system



The solar power kit Solemyo to automate gates, garage doors or barrier gates, including those located far from the power mains and without the need for costly and invasive excavation work. See pages 80/81

Opera system



The innovative Opera system enables the installer to manage, program and control automation systems, also remotely, simply and safely, with significant savings in time. See pages 80/81