



Code	Description
<b>SU2000</b>	Irreversible 24 Vdc, with magnetic encoder and no need to adjust limit switches, for doors from 15 m <sup>2</sup> up to 35 m <sup>2</sup>
<b>SU2000V</b>	Irreversible 24 Vdc, with magnetic encoder and no need to adjust limit switches, high speed, for doors from 10 m <sup>2</sup> up to 25 m <sup>2</sup>
<b>SU2000VV</b>	Irreversible 24 Vdc, with magnetic encoder and no need to adjust limit switches, super high speed, for doors from 10 m <sup>2</sup> up to 15 m <sup>2</sup>
<b>A924</b>	For one motor, with 24 Vdc encoder, built-in battery charger, IP55 case
<b>B12V-C</b>	12 V, 2 Ah batteries
<b>CARICA</b>	Plug-in card for battery charger

### For sectional doors and two-wings sliding doors up to 35 m<sup>2</sup>.

24 Vdc electromechanical gear motor with magnetic encoder, no need to adjust limit switches. Perfect for intensive use.

**Revolutionary aesthetics:** compact, particularly in width, in order to make assembly easy in any position; quick to install.

**Easy to install:** Sumo can be fitted directly onto the shaft of sectional doors. Perfect for Ø 25.4 mm shafts and can be used also with Ø 31.75-35-40 mm shafts thanks to the CRA9 adapter.



### Many different functions with the separate Mindy A924 control unit:

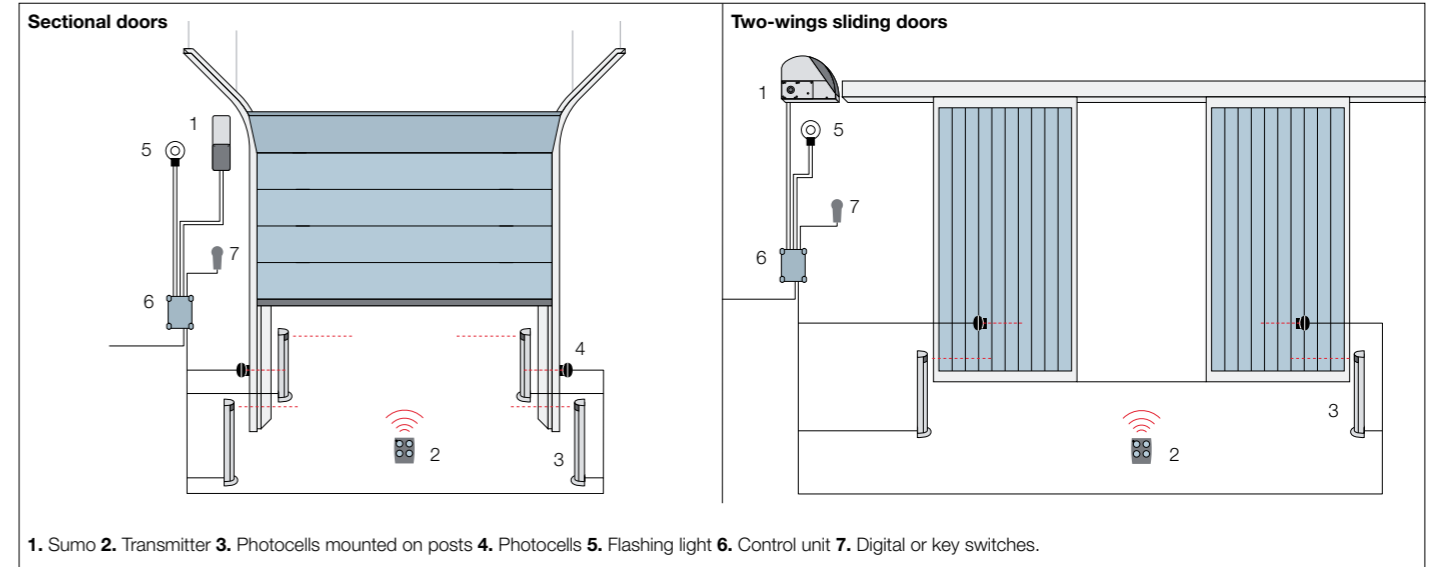
automatic memorization of limit switches on opening and closing; gradual departure and slowdown during closing; integrated battery charge card with optional battery power supply in the event of power failures easy programming by pressing a single button; pause time programming and speed adjustment; "service" warning light for maintenance (can be programmed according to the number of manoeuvre required).

### Technical specifications

Code	SU2000	SU2000V	SU2000VV
<b>Electrical data</b>			
Power supply (Vdc)	24		
Absorption (A)	13		
Power (W)	500		
<b>Performance data</b>			
Speed (Rpm)	16	23.5	42
Torque (Nm)	120	82	46
Work cycle (%)	50		
<b>Dimensional and general data</b>			
Protection level (IP)	44		
Working temp. (°C Min/Max)	-20 ÷ +50		
Dimensions (mm)	110x270x350 h		
Weight (kg)	10.5		

### Technical specifications

Code	A924
Power supply (Vac 50/60 Hz)	230 ± 10%
Battery power (Vdc)	21 ÷ 28
Maximum motor power (VA; A)	360 (W); 15
Maximum accessories power 24 V (A)	0,2 + 0,2
Maximum flashing light power (V;W)	24/25
Maximum gate open indicator power CA (V; W)	24; 2
Maximum electric lock power (V; W)	24; 12
Working time "TL" (s)	-
Pause time "TP" (s)	1 ÷ 1023
Opening delay time TRA (s)	-
Closing delay time TRC (s)	-
Courtesy light time "TCor" (s)	60
Pre-flashing time "TPre" (s)	5
Force adjustment (%)	-
Anti-crushing device (sensitivity)	Min ÷ Max
Case dimensions (mm)	220x110x280 h



### Accessories for a complete installation:

