

**SHEL75KCE01**



Easy installation:  
**new pre-mounted guide**

**FLO4R-S**



**The kit contains:**

**SHEL75KIT**, 1 750N, 24 Vdc gear motor, with electronic limit switch, built-in control unit and receiver and guide in single section of 2850 mm  
**FLO4R-S** 2 transmitter 433.92 MHz, 4 channel;  
**ME** Battery back-up

Code	Description
<b>SHEL75KCE02</b>	Kit for automating sectional doors up to 8.4 m <sup>2</sup> and projecting and non-projecting up-and-over doors up to 9.8 m <sup>2</sup> . Guide in 1x2850 mm piece

**For sectional doors up to 8.4 m<sup>2</sup> and up-and-over doors up to 9.8 m<sup>2</sup> with guide in single section of 2850 mm.**

**Rapid installation-anywhere** thanks to the **click-fit guide**

**Automatic programming** by means of a single key.

**Reliability:** a genuine battery **back-up system guarantees continued operation during power outages.** Auto-diagnostic system that identifies and immediately signals any possible malfunctions.

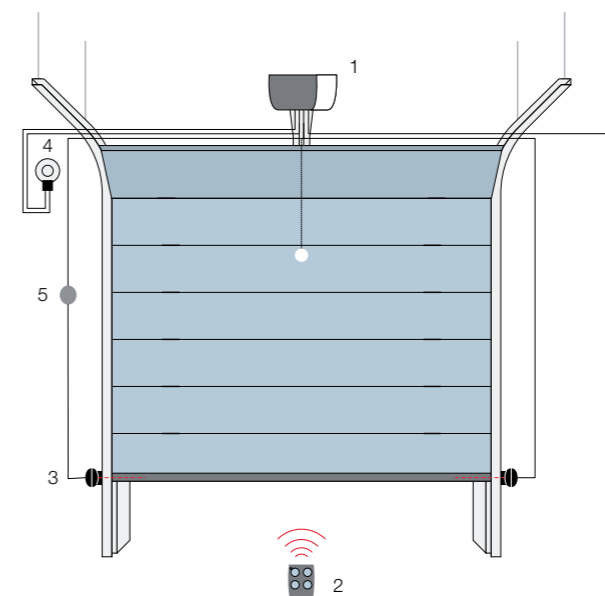
**Safety:** 24 Vdc very low voltage motor with electronic limit switch; obstacle detection thanks to controlled movement.

**Practical release** rope in the event of a power failure.

**The incorporated control unit with built-in receiver ensures a wide range of programmable functions:**

- timed and adjustable automatic closing function;
- partial opening function;
- setting of pause time and movement speed;
- setting of obstacle detection sensitivity with movement inversion;
- traction discharge at end of manoeuvre, to guarantee perfect door closure;
- automatic recognition of NC-NA-8.2K safety devices, if installed;
- programming of new transmitters (up to 150 programmable keys).

## Sectional doors



1. Shel 2. Transmitter
3. Photocells 4. Flashing light
5. Digital or key switches.

## Accessories



**OGA1**  
Spare control unit

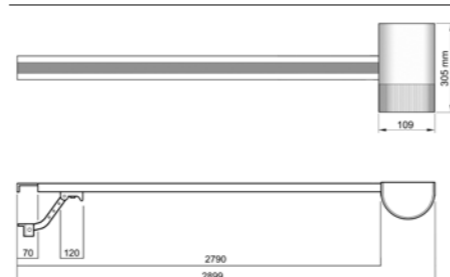


**ME**  
Buffer battery 24 V for emergency power supply

## Technical specifications

Code	SHEL75KIT
<b>Electrical specifications</b>	
Power (Vac 50 Hz)	24
Current absorbed (A)	1.3
Power absorbed (W)	280
<b>Performance</b>	
Speed (m/s)	0.14
Torque (N)	750
Work cycle (cycles/hour)	8
<b>Dimensions</b>	
Working temp. (°C)	-20 ÷ +50
Protection level (IP)	40
Dimensión (mm)	305x109x130 h
Peso (kg)	4

## Technical layout



## Utilisation limits

	Non-projecting up-and-over door		Projecting up-and-over door		Sectional door	
	H	L	H	L	H	L
<b>SHEL75KCE01</b>	2,2 m	4 m	2,8 m	4 m	2,4 m	4 m

Using the maximum travel