



| Code | Description |
|-------------------|---|
| DELUXE380V | 380 Vdc electromechanical gear motor with base plate and limit switch cams, for gates up to 3500 kg |

For sliding gates weighing up to 3500 kg.

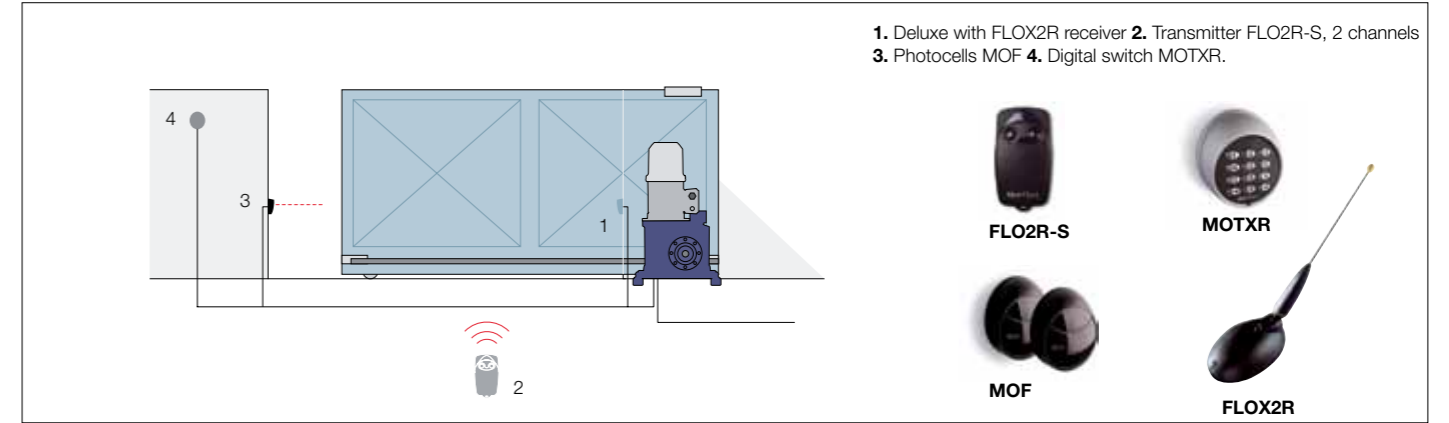
The Deluxe 380V is the pinnacle of 380 Vdc power and strength for any industrial application.

Hand manufactured by dedicated craftsmen to exacting standards. Customizations are available to cater for special requirements.

The Deluxe, compatible with Nice A500 or Nice Hansa Deluxe2 control panel, ensures easy and trouble free operation.

Motor features:

- high torque start;
- LED indicators make trouble shooting and fault finding easy;
- general purpose relay;
- obstruction detection increases safety whilst the gate is operational;
- loop detector facility;
- lockable manual override release handle.



Accessories for a complete installation:

| Code | Description |
|---------------|-----------------------------|
| A500 | Spare control unit |
| DL2 | Deluxe2 control panel |
| RACKHD | Heavy duty steel rack (2 m) |

Technical specifications

| Code | DELUXE380V |
|-------------------------------------|---------------|
| Electrical data | |
| Power Supply (Vac/Hz) | 400 |
| Absorption (A) | 3.05 |
| Power (W) | 1100 |
| Performance data | |
| Speed load dependant (m/min) | 11 - 14 |
| Force (N) | 1000 |
| Work cycle (cycles/day) | 720 |
| Operations in standby with battery | - |
| Dimensional and general data | |
| Protection level (IP) | 44 |
| Working temp. (°C Min/Max) | -20 ÷ +50 |
| Dimensions (mm) | 360x290x600 h |
| Weight (kg) | 47 |