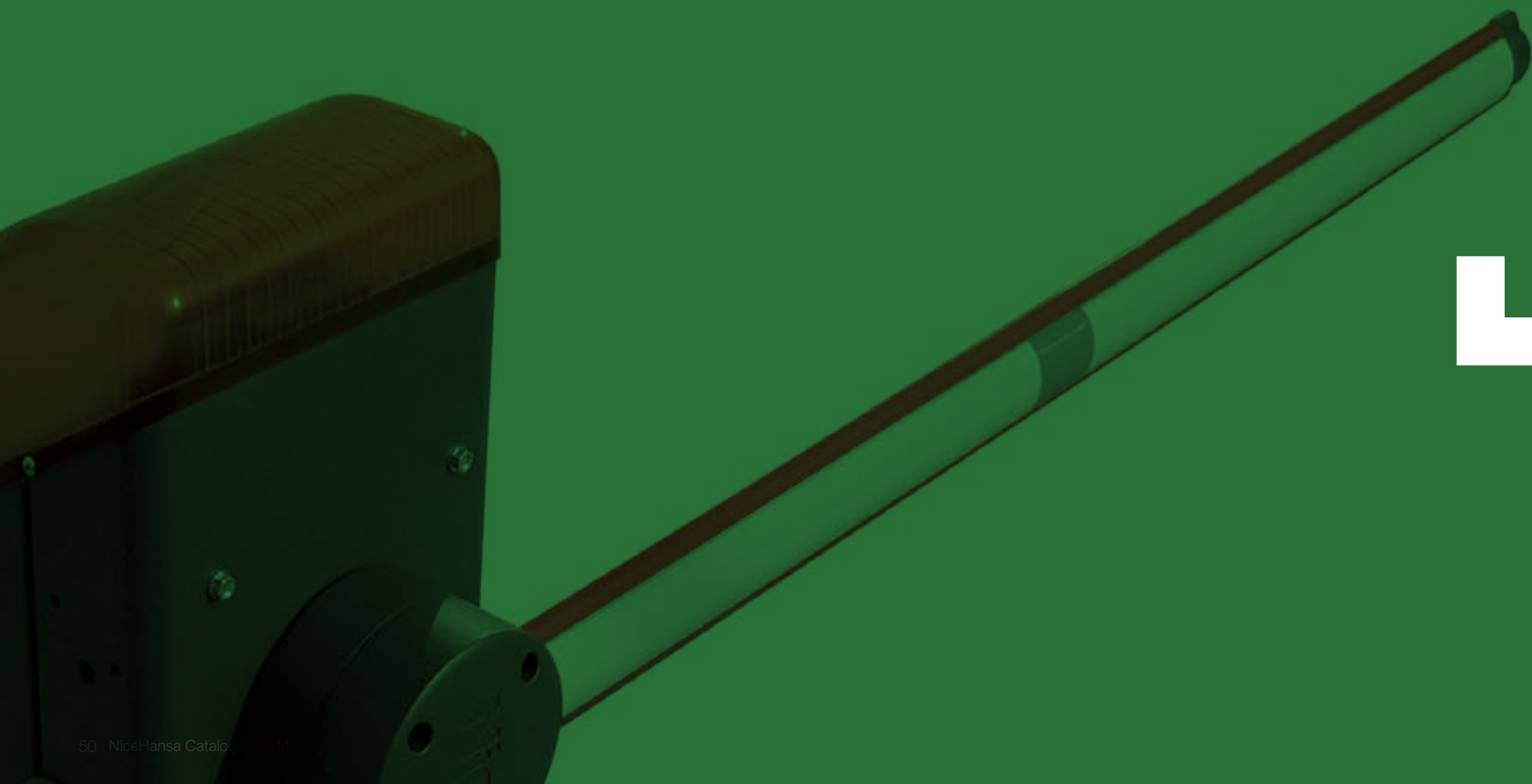


Road Barrier Operators



NiceHansa Selection guide

Follow the arrow and choose the right product

For road access

Irreversible 24 Vdc electromechanical barrier gate operator with built-in control unit and incorporated flashing light. Equipped with Nice BlueBUS technology. Compatible for operation with Nice Solemyo and Opera systems.

X-Bar
pages 54/55

X-BAR

X-Bar



Even for industrial use

Irreversible 24 Vdc electromechanical barrier gate operator with built-in control unit and magnetic encoder.
Signo
pages 56/59

bar length up to 4 m
minimum opening time: 3 s

galvanised steel, painted case

SIGNO4

satin stainless steel case

SIGNO4I

bar length up to 6 m
(8.5 m with accessory),
minimum opening time: 6 s

galvanised steel, painted case

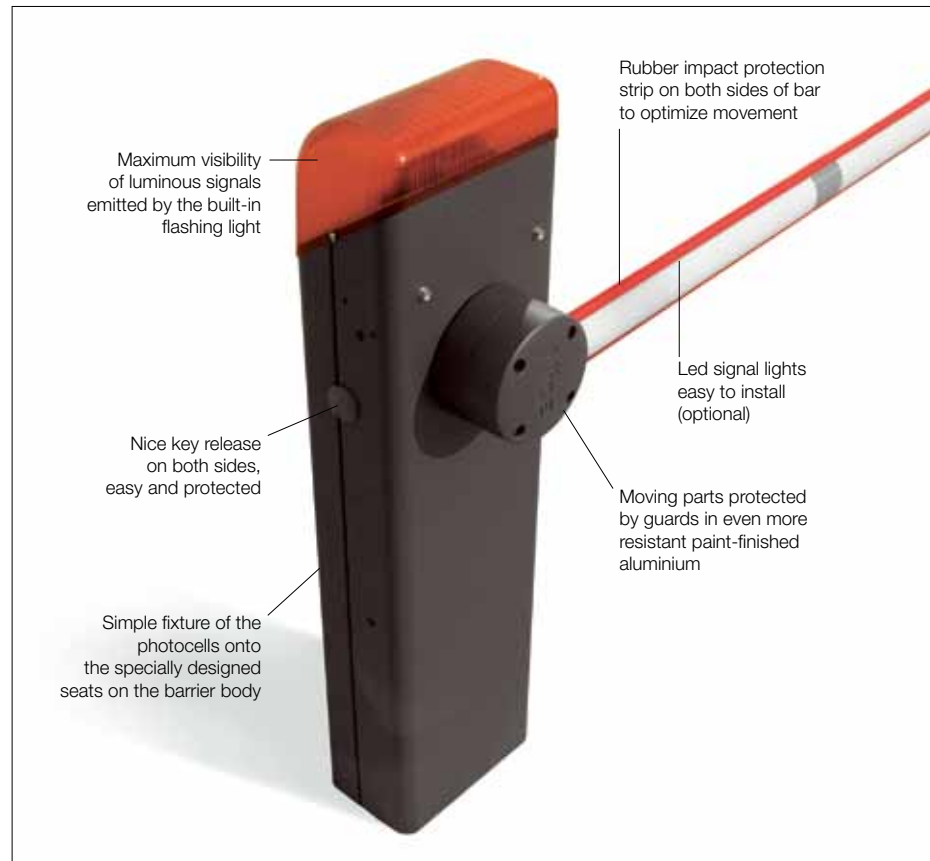
SIGNO6

satin stainless steel case

SIGNO6I

Signo





Code	Description
X-BAR	Irreversible 230 Vac, 24 Vdc motor. Modular pole in three 1-metre sections with rubber protection strips; enclosure in galvanized and paint-finished steel, fixing plate excluded

The first electromechanical barrier gate operator complete with built-in flashing light and modular pole. Equipped with Nice BlueBUS technology. Compatible for operation with Nice Solemyo and Opera systems.

Powerful and fast: electromechanical gear motor 24 Vdc, 100 W with power up to 100 Nm of torque.

Flexible and easy to transport: modular pole in three 1-metre sections to adapt length to the specific installation environments; including joints and cap. The compact dimensions of packaging facilitate the transport of X-Bar.

More comfort and safety in programming and maintenance phases: the separate enclosures for electronics and mechanics prevent internal parts from being subject to potential hazards.

Built-in control unit, with flashing light to guarantee optimal visibility of the luminous signal.

More safety and reliability: obstacle detection and monitoring of motor absorption during automation movement.

Energy saving: when the system is not used it sets to standby, thereby reducing consumption.

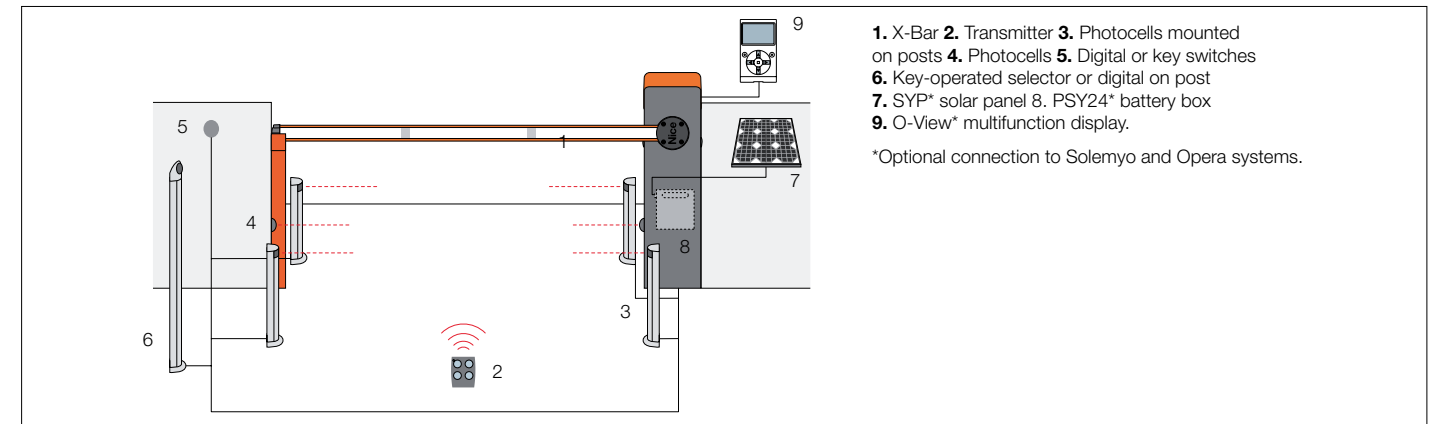
Automatic fault diagnostics during operation and consequent information on type via different combinations of flashes.

With provision for connection of the latest generation of optical and resistive sensitive edges (with 8.2 KOhm resistance).

Rapid and easy access to the control unit located in the upper section of the barrier body.

Simple fixture of the photocells onto the specially designed seats on the barrier body.

No black out: operation in the event of a power failure with optional batteries (PS124) housed inside the motor.



1. X-Bar
 2. Transmitter
 3. Photocells mounted on posts
 4. Photocells
 5. Digital or key switches
 6. Key-operated selector or digital on post
 7. SYP* solar panel
 8. PSY24* battery box
 9. O-View* multifunction display.
- *Optional connection to Solemyo and Opera systems.

Accessories for a complete installation:

XBA2 Spare control unit for X-BAR.	PS124 24 V battery with integrated battery charger.	SIA1 Anchorage base with clamps.	XBA4 Indicator lights for click fixture of X-BAR on upper or lower side of pole.	WA10 Red adhesive reflector strips.	WA11 Adjustable stand for bars.

Technical specifications

Code	X-BAR
Electrical data	
Power supply (Vac 50/60 Hz)	230
Absorption (A)	0.7
Power (W)	100
Performance data	
Speed (s)	< 4
Torque (Nm)	100
Work cycle (cycles/hour)	100
Dimensional and general data	
Protection level (IP)	44
Working temp. (°C Min/Max)	-20 ÷ +50
Dimensions (mm)	300x179.5x1146 h
Weight (kg)	40

Solemyo system



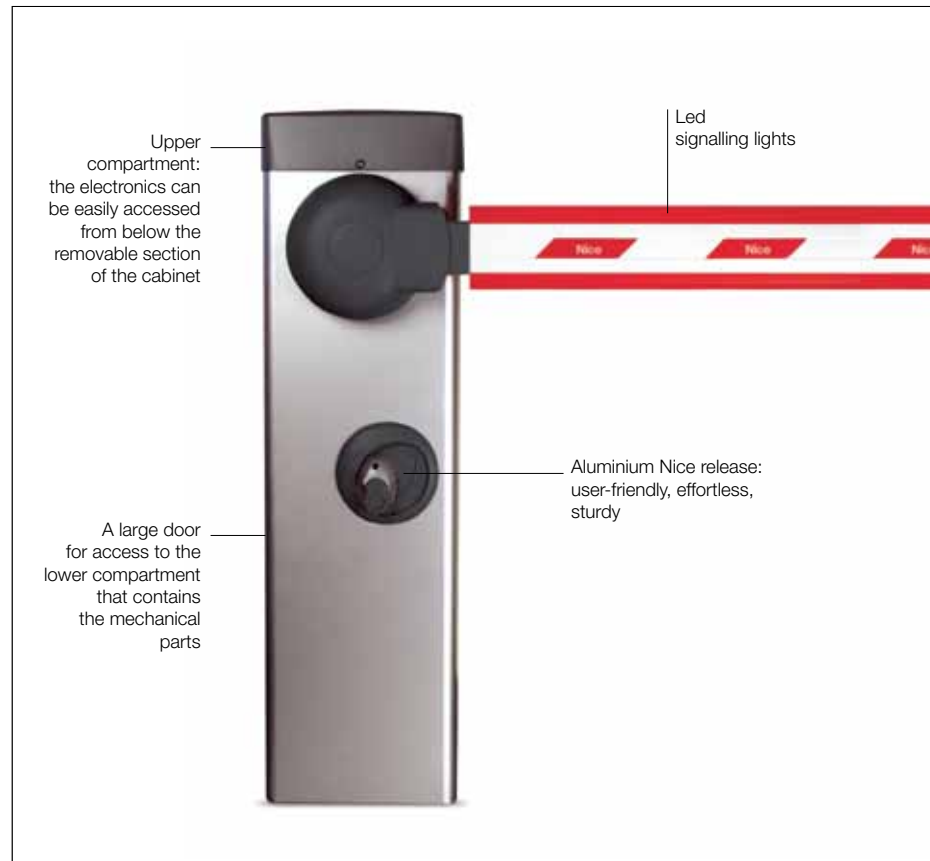
The solar power kit Solemyo to automate gates, garage doors or barrier gates, including those located far from the power mains and without the need for costly and invasive excavation work. See pages 78/79

Opera system



The innovative Opera system enables the installer to manage, program and control automation systems, also remotely, simply and safely, with significant savings in time. See pages 80/81





Code	Description
SIGNO4	For bars up to 4 m, irreversible 230 Vac, 24 Vdc motor, with galvanised steel painted case
SIGNO4I	For bars up to 4 m, irreversible 230 Vac, 24 Vdc motor, with satin stainless steel case
SIGNO6	For bars up to 6 m, irreversible 230 Vac, 24 Vdc motor, with galvanised steel painted case
SIGNO6I	For bars up to 6 m, irreversible 230 Vac, 24 Vdc motor, with satin stainless steel case

Technical specifications

Code	SIGNO4 - SIGNO4I	SIGNO6 - SIGNO6I
Electrical data		
Power supply (Vac 50/60 Hz)	230	
Absorption (A)	1.3	
Power (W)	300	500
Performance data		
Min.-max. opening time (s)	3÷6	6÷10
Torque (Nm)	200	250
Work cycle (cycles/hour)	400	250
Dimensional and general data		
Protection level (IP)	44	
Working temp. (°C Min/Max)	-20 ÷ +50	
Dimensions (mm)	320x200x1070 h	420x220x1070 h
Weight (kg)	50	58

For private, public and industrial car parks.

Electromechanical barrier gate operator with magnetic encoder.

Powerful and quick: electromechanical 24 Vdc gear motor, 500 W power and up to 250 Nm torque. It opens up completely (90°) in just 3 seconds (Signo4), 6 seconds (Signo6). Models with a 230 Vac or 110 Vac power supply.

Even more sophisticated and well-developed new control unit: The same for all models, it automatically recognises and memorises the Signo model on which it is installed thereby eliminating the first installation procedure. Signals that the power supply is correct when started and that the control unit is functioning correctly. Automatic diagnostics during operation, with differentiated visual signals according to the type of fault.

Intelligent: the manoeuvre will invert automatically if the bar comes into contact with an obstacle. The control unit automatically corrects any eventual lack of balance linked to variations in the climate or poor installation.

Safe: the innovative control unit utilises a revolutionary management system of the force, speed, acceleration and deceleration that can be **programmed at 6 levels**, at the beginning and at the end of the manoeuvre. Programming is intuitive and completely automatic with the Nice encoder technology: Simply push a button and Signo will comprehend the limit switch limits.

Large openings: a master/slave selection automatically synchronises two opposing barriers enabling the automation of transit points up to 8 and 12 m.

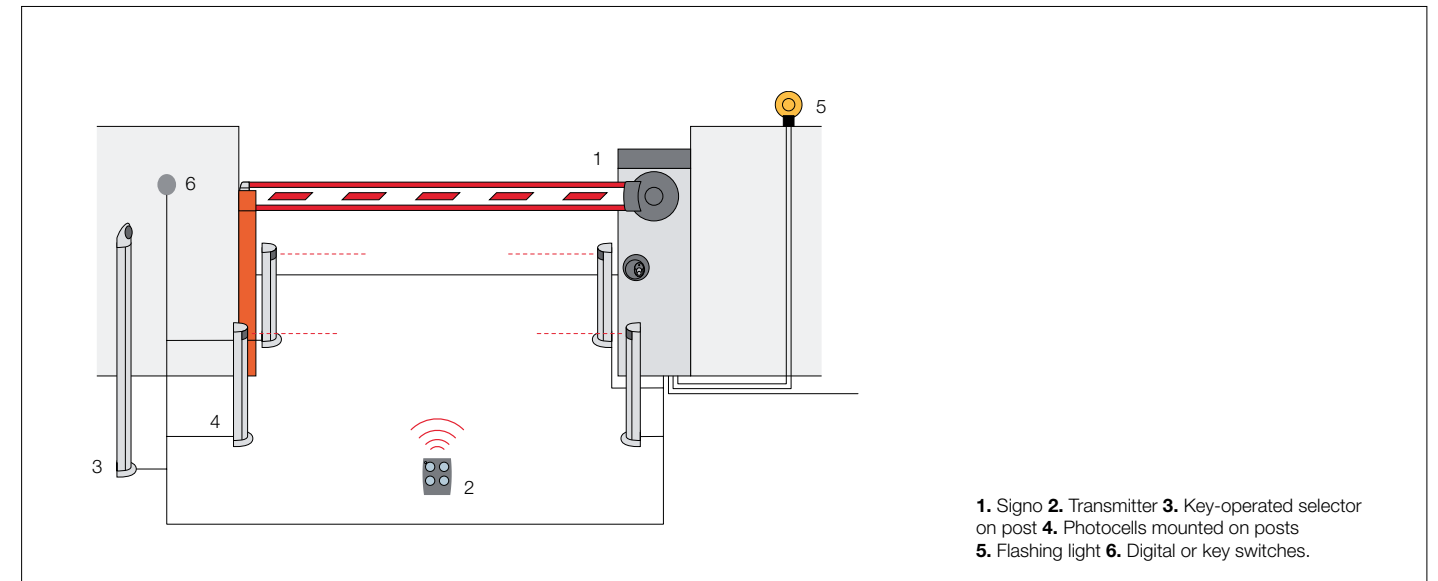
Convenient: separate compartments for electronics and mechanics provide the user with easy access without damages to internal parts.

Exclusive functions:

- the barrier will close immediately after the vehicle has passed through;
- it has two types of traffic-light type signals;
- there is an automatic safety test at the beginning of each manoeuvre;
- constant resistance STOP input for connecting the latest generation of sensitive edges;
- there is a manoeuvre counter and it is possible to programme the maintenance alarm threshold.

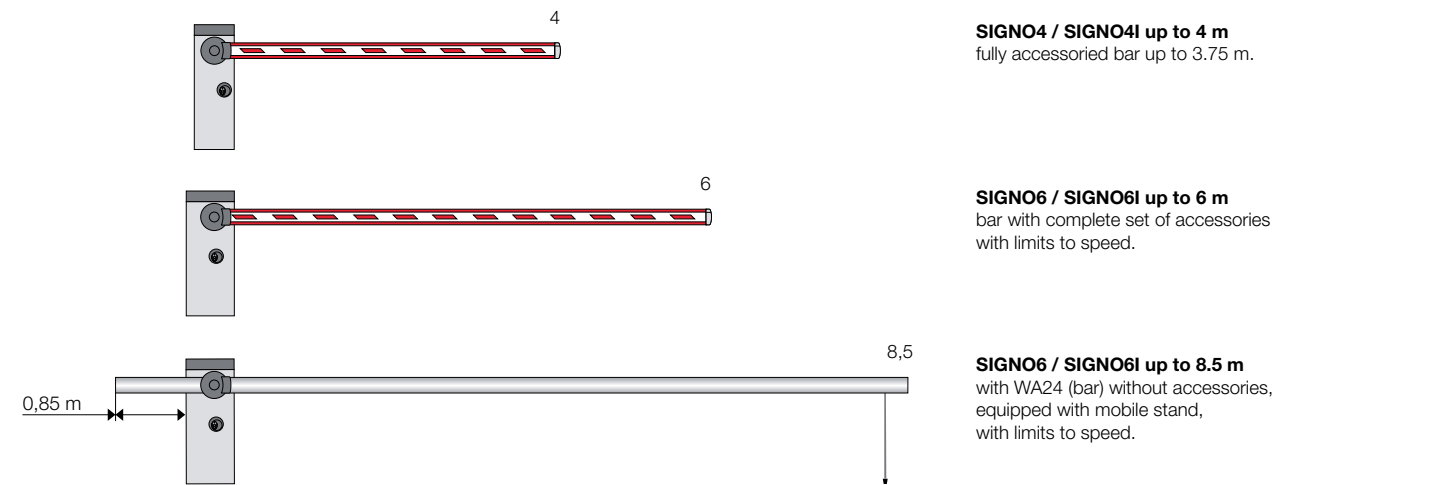
Intensive use

The new, 24 Vdc gear motor Signo can be used intensively for long periods of time. This characteristic makes it ideal for automating private, public or industrial car-parks which are subjected to the frequent passage of vehicles during the day.



1. Signo 2. Transmitter 3. Key-operated selector on post 4. Photocells mounted on posts 5. Flashing light 6. Digital or key switches.

Utilisation limits



Bar length (m)

Tubular aluminium bars don't need the use of accessories (only WA11).

Accessories for SIGNO4 / SIGNO4I



WA1
Aluminium bar, painted white 36x73x4250 mm.



WA25
Pivoting connection for rectangular bars up to 4 m.



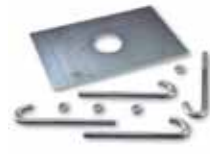
WA2
8 m pack of red shockproof rubber strip with caps to close WA1 bar.



WA13
Aluminium rack (2 m) for WA1, WA21, WA22 bars.



WA14
Joint for rods WA1 (from 1950 mm to 2400 mm).



SIA1
Anchorage base with clamps.

Common accessories



SIA20
Spare control unit.



PS224
24 Vdc buffer battery.



WA9
Pack of 6 flashing signals, wired for WA1, WA21, WA22 bars.



WA10
Red adhesive reflector strips.



WA11
Adjustable stand for bars.



WA12
Mobile stand for bars.

Accessories for SIGNO6 / SIGNO6I



WA22
Modular bar, plus joint painted white, 2 sections 36x94x3125 mm.



WA6
Pack 12 m of red shockproof rubber strip with caps to close the bars WA21, WA22.



WA13
Aluminium rack (2 m) for WA1, WA21, WA22 bars.



SIA2
Anchorage base with clamps.