



Garage and Industrial Door Operators

NiceHansa Selection guide

Follow the arrow and choose the right product

For sectional doors, industrial and commercial use

Irreversible 24 Vdc electromechanical gear motor for doors up to 5 m in height, with absolute encoder and built-in control unit. Equipped with Nice BlueBUS technology. Compatible for operation with Nice Solemyo and Opera systems.

Soon
pages 64/65

→ **SO2000**

Soon



For sectional and sliding 2-leaf doors, industrial and commercial use

Irreversible 24 Vdc electromechanical gear motor with magnetic encoder, with no need for limit switch adjustment.

Sumo
pages 66/67

- low speed, for doors up to 35 m² → **SU2000**
- high speed, for doors up to 25 m² → **SU2000V**
- super high speed, for doors up to 15 m² → **SU2000VV**

Sumo



For sectional and up-and-over doors, industrial and commercial use

Irreversible 24 Vdc gear motor with electronic limit switch, built-in control unit and receiver, guide in single section of 2850 mm

Shel75Kit
pages 68-69

→ **SHEL75KCE02**

Shel75Kit





Code	Description
SO2000	Irreversible 24 Vdc electromechanical gear motor with built-in control unit and absolute encoder, for doors up to 5 m in height

For sectional doors* up to 20 m².
24 Vdc electromechanical gear motor with Nice BlueBUS technology and absolute encoder.
Compatible for operation with Nice Solemyo and Opera systems.

*For sectional doors equipped with anti-crash safeguard system (safety device useful in case of spring breaking).

Easy to install: Soon can be fitted directly onto the shaft of a sectional door; compact, particularly in width, in order to make assembly easy in any position.

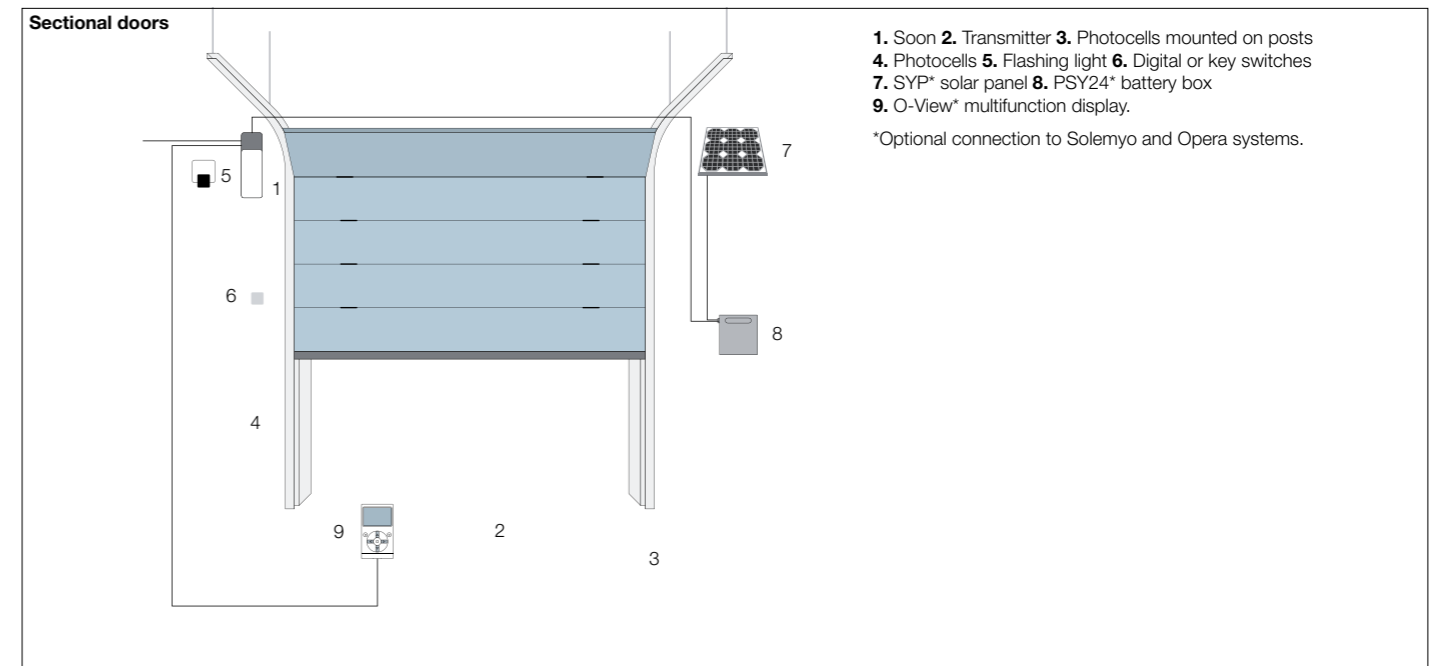
User-friendly thanks to the BlueBUS system that enables users to connect the photocell couples and control unit using just two wires.

Practical: the control unit and PS124 buffer battery (optional) can be connected by means of a simple connector and can be housed directly inside the motor.

Energy saving: when the system is not being used it will switch over to standby.

Reliable and precise: memorization of limit switch positions on opening and closing; gradual starting and slowdown during closing; the absolute encoder technology guarantees precision without the need of a limit switch, reliability and long term safeguard of the set values.

Safe: obstacle detection system; motor absorption is monitored during movement, self-diagnosis by means of a flashing light and courtesy light. Last generation of 8.2 KOhm optical and sensitive edges can also be connected.



Accessories for a complete installation:



SOA2
Spare control unit for SO2000.



PS124
24 V battery with integrated battery charger.



CRA9
Adapter for diameter 31.75 (1.1/4"), 35 and 40 mm shafts.

Technical specifications

Code	SO2000
Electrical data	
Power supply (Vac 50/60 Hz)	230
Absorption (A)	1.6
Power (W)	350
Performance data	
Speed (Rpm)	30
Torque (Nm)	50
Work cycle (cycles/hour)	15
Dimensional and general data	
Protection level (IP)	40
Working temp. (°C Min/Max)	-20 ÷ +50
Dimensions (mm)	115x300x375 h
Weight (kg)	10.5

Solemyo system



The solar power kit Solemyo to automate gates, garage doors or barrier gates, including those located far from the power mains and without the need for costly and invasive excavation work. See pages 78/79

Opera system



The innovative Opera system enables the installer to manage, program and control automation systems, also remotely, simply and safely, with significant savings in time. See pages 80/81



For sectional doors and two-wings sliding doors up to 35 m².

24 Vdc electromechanical gear motor with magnetic encoder, no need to adjust limit switches. Perfect for intensive use.

Revolutionary aesthetics: compact, particularly in width, in order to make assembly easy in any position; quick to install.

Easy to install: Sumo can be fitted directly onto the shaft of sectional doors. Perfect for Ø 25.4 mm shafts and can be used also with Ø 31.75-35-40 mm shafts thanks to the CRA9 adapter.



Code	Description
SU2000	Irreversible 24 Vdc, with magnetic encoder and no need to adjust limit switches, for doors from 15 m ² up to 35 m ²
SU2000V	Irreversible 24 Vdc, with magnetic encoder and no need to adjust limit switches, high speed, for doors from 10 m ² up to 25 m ²
SU2000VV	Irreversible 24 Vdc, with magnetic encoder and no need to adjust limit switches, super high speed, for doors from 10 m ² up to 15 m ²
A924	For one motor, with 24 Vdc encoder, built-in battery charger, IP55 case
B12V-C	12 V, 2 Ah batteries
CARICA	Plug-in card for battery charger

Many different functions with the separate Mindy A924 control unit:

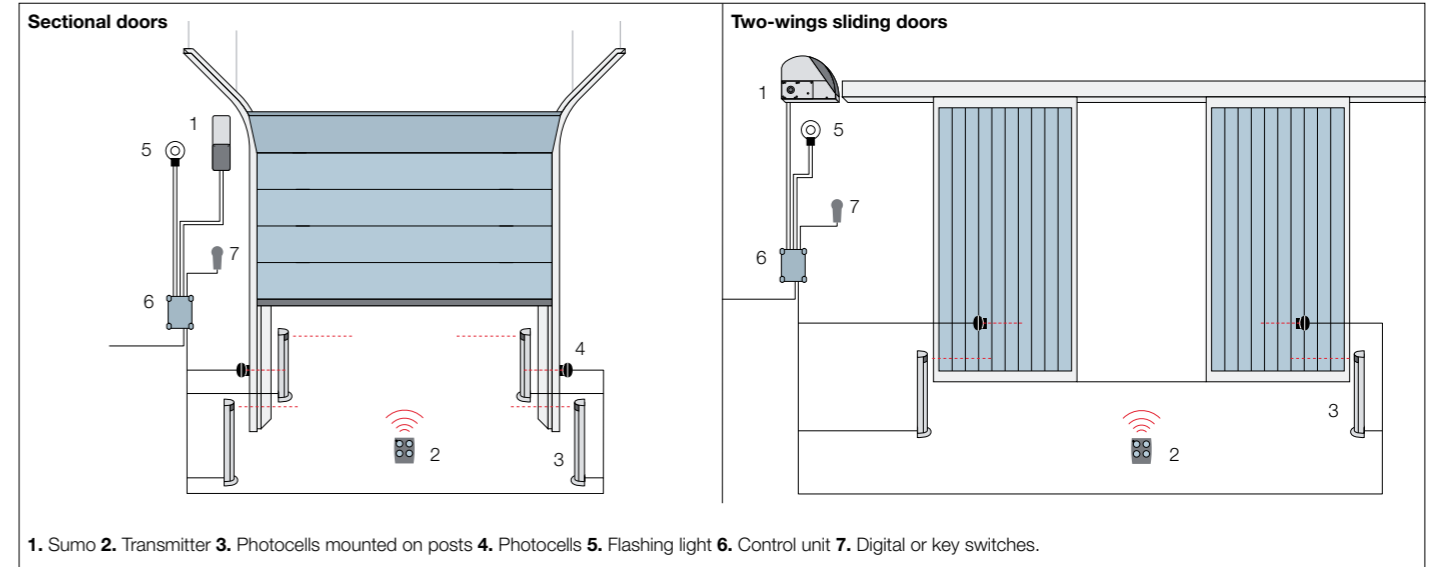
automatic memorization of limit switches on opening and closing; gradual departure and slowdown during closing; integrated battery charge card with optional battery power supply in the event of power failures easy programming by pressing a single button; pause time programming and speed adjustment; "service" warning light for maintenance (can be programmed according to the number of manoeuvre required).

Technical specifications

Code	SU2000	SU2000V	SU2000VV
Electrical data			
Power supply (Vdc)	24		
Absorption (A)	13		
Power (W)	500		
Performance data			
Speed (Rpm)	16	23.5	42
Torque (Nm)	120	82	46
Work cycle (%)	50		
Dimensional and general data			
Protection level (IP)	44		
Working temp. (°C Min/Max)	-20 ÷ +50		
Dimensions (mm)	110x270x350 h		
Weight (kg)	10.5		

Technical specifications

Code	A924
Power supply (Vac 50/60 Hz)	230 ± 10%
Battery power (Vdc)	21 ÷ 28
Maximum motor power (VA; A)	360 (W); 15
Maximum accessories power 24 V (A)	0,2 + 0,2
Maximum flashing light power (V;W)	24/25
Maximum gate open indicator power CA (V; W)	24; 2
Maximum electric lock power (V; W)	24; 12
Working time "TL" (s)	-
Pause time "TP" (s)	1 ÷ 1023
Opening delay time TRA (s)	-
Closing delay time TRC (s)	-
Courtesy light time "TCor" (s)	60
Pre-flashing time "TPre" (s)	5
Force adjustment (%)	-
Anti-crushing device (sensitivity)	Min ÷ Max
Case dimensions (mm)	220x110x280 h



Accessories for a complete installation:

PUL Central cover with buttons, complete with connecting cable and connected for A500 and A924.	B12-B 12 V, 6 Ah batteries.	BA3-A Nice battery box.	KIO Key-operated selector switch for low voltage contacts with release mechanism for metal cord.	KA1 6 m cable release kit for KIO.	CRA1 Shaft with 18-tooth pinion Ø shaft 25.4 mm Ø inside crown 25.4 mm.
CRA2 Joint for chain.	CRA3 1/2" chain, 1 m pack, plus joint for chain.	CRA4 1/2" chain, 5 m pack, ideal for single or double wing industrial doors, plus joint for chain.	CRA5 Tensioner drive with brackets, for single or double wing industrial door.	CRA6 36-tooth pinion Ø inside 25.4 mm.	CRA7 18-tooth pinion Ø inside 25.4 mm.
CRA8 Wall-fixing bracket.	CRA9 Adapter for diameter 31.75 (1.1/4"), 35 and 40 mm shafts.				

SHEL75KCE01



Easy installation:
new pre-mounted guide



FLO4R-S

The kit contains:

SHEL75KIT, 1 750N, 24 Vdc gear motor, with electronic limit switch, built-in control unit and receiver and guide in single section of 2850 mm
FLO4R-S 2 transmitter 433.92 MHz, 4 channel;
ME Battery back-up

Code	Description
SHEL75KCE02	Kit for automating sectional doors up to 8.4 m ² and projecting and non-projecting up-and-over doors up to 9.8 m ² . Guide in 1x2850 mm piece

For sectional doors up to 8.4 m² and up-and-over doors up to 9.8 m² with guide in single section of 2850 mm.

Rapid installation-anywhere thanks to the **click-fit guide**

Automatic programming by means of a single key.

Reliability: a genuine battery **back-up system guarantees continued operation during power outages.** Auto-diagnostic system that identifies and immediately signals any possible malfunctions.

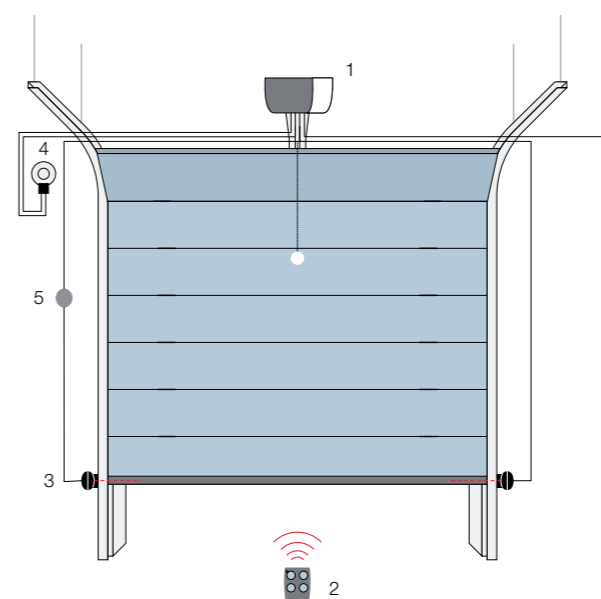
Safety: 24 Vdc very low voltage motor with electronic limit switch; obstacle detection thanks to controlled movement.

Practical release rope in the event of a power failure.

The incorporated control unit with built-in receiver ensures a wide range of programmable functions:

- timed and adjustable automatic closing function;
- partial opening function;
- setting of pause time and movement speed;
- setting of obstacle detection sensitivity with movement inversion;
- traction discharge at end of manoeuvre, to guarantee perfect door closure;
- automatic recognition of NC-NA-8.2K safety devices, if installed;
- programming of new transmitters (up to 150 programmable keys).

Sectional doors



1. Shel 2. Transmitter
3. Photocells 4. Flashing light
5. Digital or key switches.

Accessories



OGA1
Spare control unit

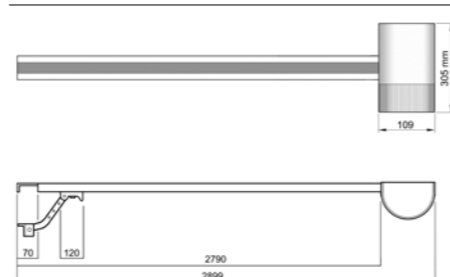


ME
Buffer battery 24 V for emergency power supply

Technical specifications

Code	SHEL75KIT
Electrical specifications	
Power (Vac 50 Hz)	24
Current absorbed (A)	1.3
Power absorbed (W)	280
Performance	
Speed (m/s)	0.14
Torque (N)	750
Work cycle (cycles/hour)	8
Dimensions	
Working temp. (°C)	-20 ÷ +50
Protection level (IP)	40
Dimensión (mm)	305x109x130 h
Peso (kg)	4

Technical layout



Utilisation limits

	Non-projecting up-and-over door		Projecting up-and-over door		Sectional door	
	H	L	H	L	H	L
SHEL75KCE01	2,2 m	4 m	2,8 m	4 m	2,4 m	4 m

Using the maximum travel